

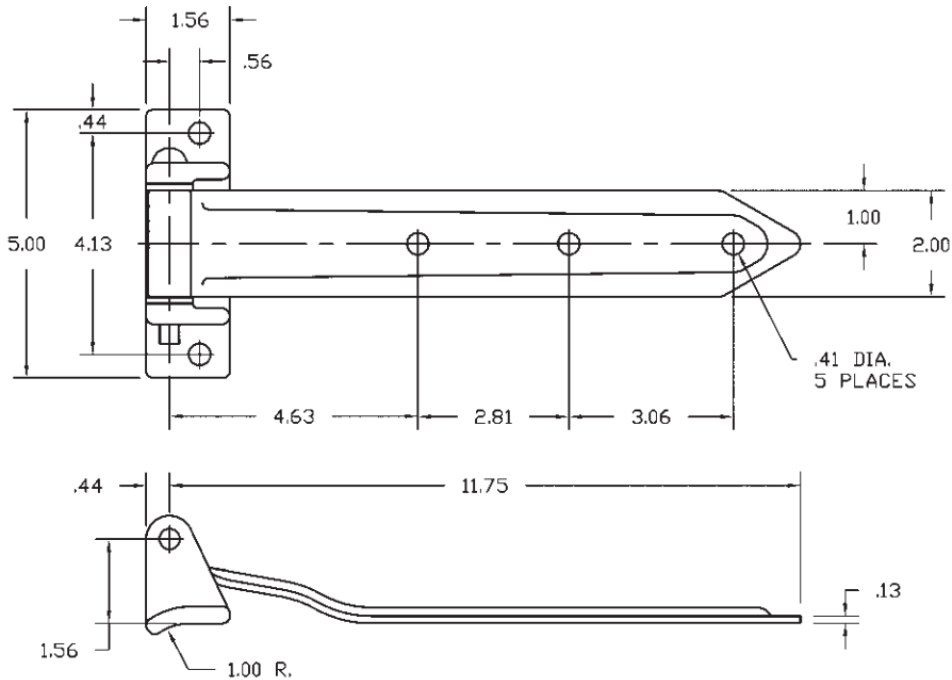
5880 Stamped Steel Hinge (With Radius Butt)

Features

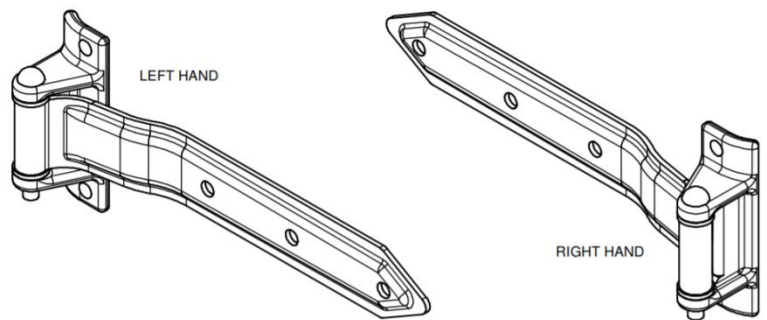
- Stamped mounting type hinge assembly
- Stamped steel strap hinge with offset
- Malleable iron butt with radius

Material

- Steel, hot dip galvanised



Left hand (-L) shown,
left hand (-R) is opposite



Part No.	Type
14-5880-XR	Right Hand
14-5880-XL	Left Hand

Dimensions in inches